

Remanufactured Downlight

We are offering round Recessed Luminaires, all in excellent condition and ready for a new lease of life. These high-quality fixtures are perfect for modern lighting solutions, offering both style and reliability.



○
WH

50K
HOURS

5
WARRANTY

80+/90+
CRI

2700K - 4000K
CCT

IP20

REMANUFACTURE

Remanufacture in accordance with BS 8887-220: Includes a full remanufacturing process. The product will be cleaned, tested and reassembled, returning it to like-new condition with a new UKCA mark and warranty.

- New UKCA mark and warranty
- Like-new condition for 30% less
- Opportunity to upgrade functionality

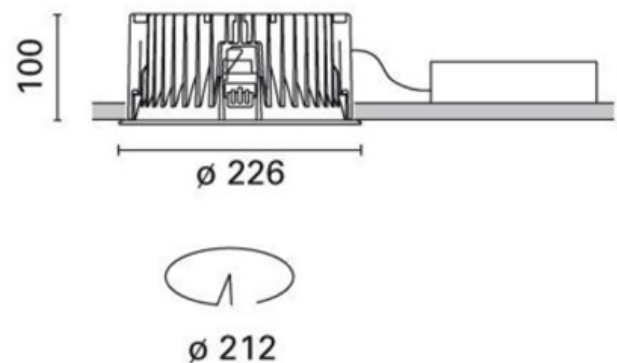


PRODUCT FEATURES

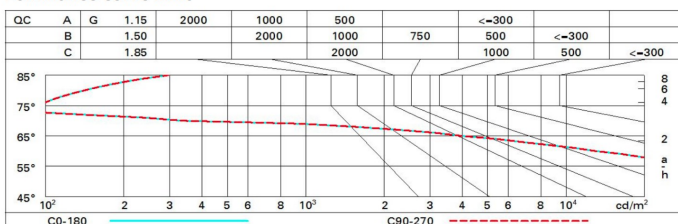
- Recessed fixed round luminaire designed to use LED.
- Multi-faceted reflector vacuum-metallised with aluminium vapours with an anti-scratch protective layer
- Die-cast aluminium body and passive dissipation system
- Brand new high-quality LED light source and driver
- General light distribution
- Torsion springs allow for easy installation in false ceilings with thickness ranging from 1 mm to 25 mm
- Product complete with electronic components
- LED driver external to the downlight

TECHNICAL DETAILS

Type code	IP105 (Previously iGuzzini MC17)
Description	Round Recessed Luminaire
Dimensions	D=226mm H=103 W=1.97Kg
IP Rating	IP20
lm output	2400 - 5000 (optional)
CCT (K)	2700K / 3000K / 4000K (optional)
CRI	80+ / 90+
MacAdam Step	2 or 3 (optional)
Rated Life (h)	> 50,000 h - L80 - B10 (Ta 25°C)



Luminance curve limit



$I_{max}=2016 \text{ cd}$ 	CIE nL 0.81 70-98-100-100-81 UGR 23.7-23.7		Lux	
	h	d	Em	Emax
	2	4.1	345	504
	4	8.3	86	126
	6	12.4	38	56
	8	16.6	22	32

Provided photometric data is representative of original product only. Contact EGG Lighting for post-remanufacture photometric data